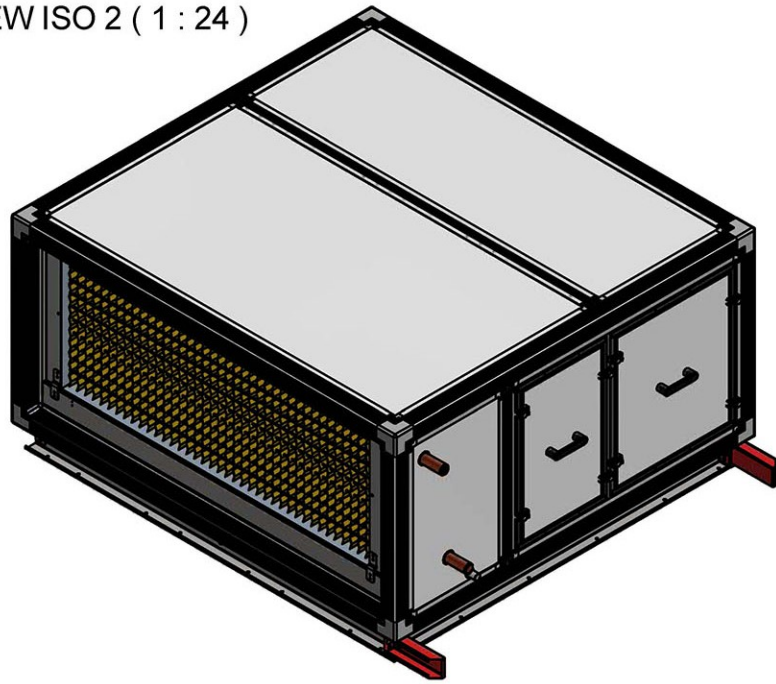
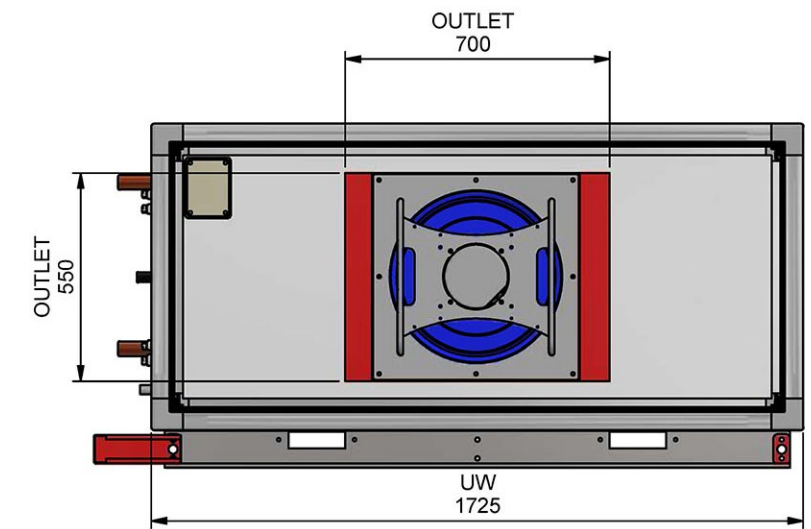
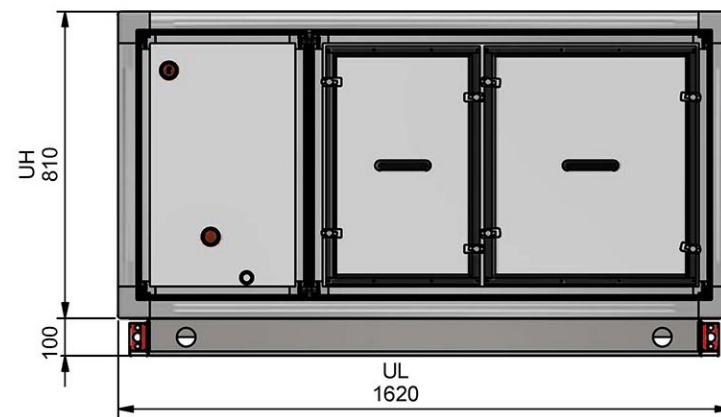
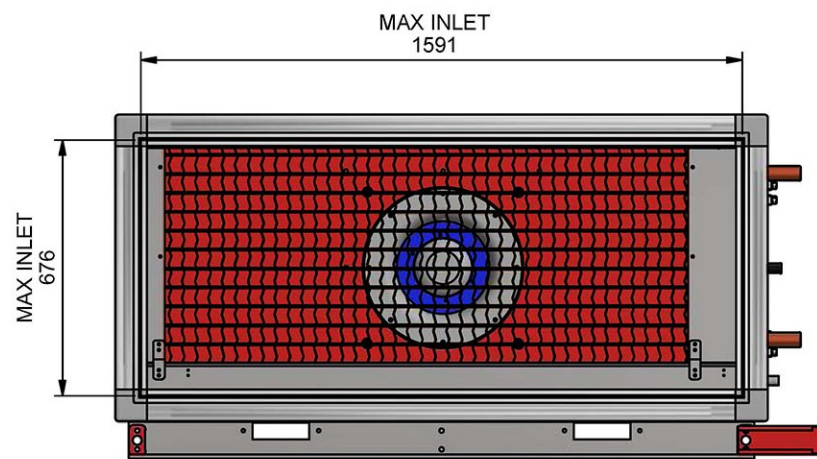
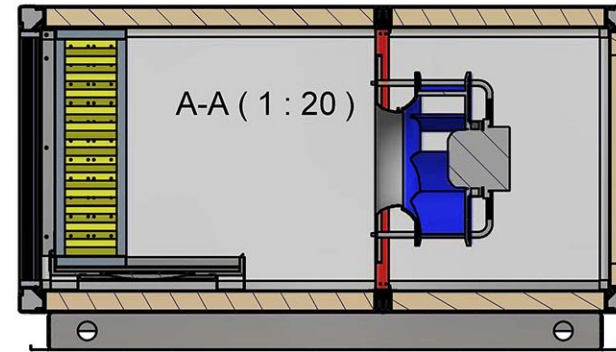
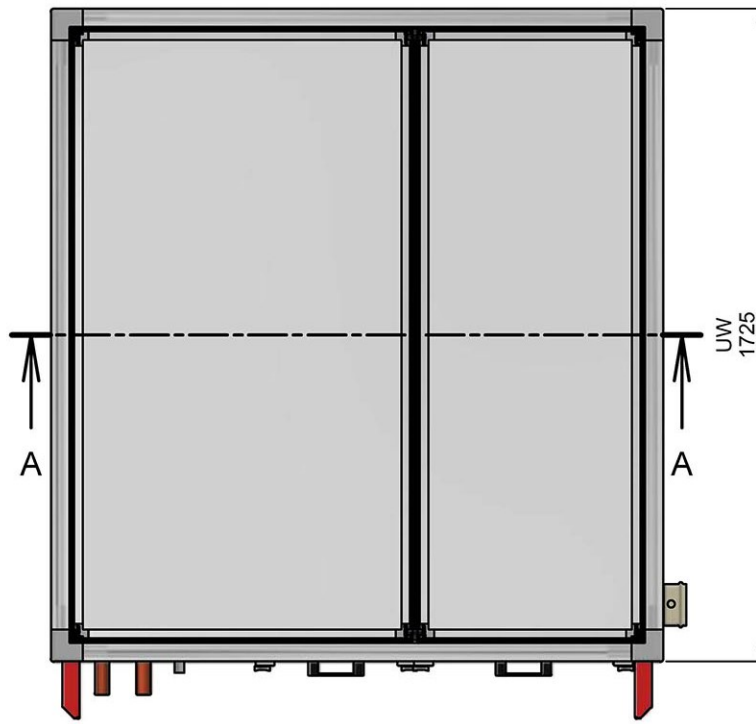
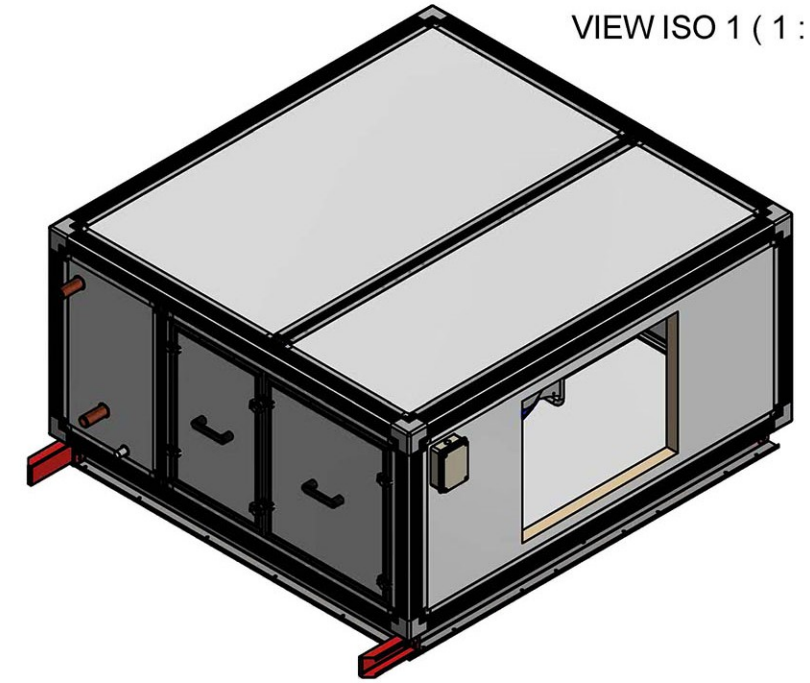


VIEW ISO 2 (1 : 24)



VIEW ISO 1 (1 : 24)



MAX S/A (HORIZONTAL) : 570 X 1215MM  
 MAX S/A (VERTICAL) : 480 X 1500MM

UNLESS OTHERWISE SPECIFIED  
 DIMENSIONS ARE IN MILLIMETERS  
 BREAK AND DEBUR ALL SHARP EDGES

3rd ANGLE  
 PROJECTION

DO NOT SCALE DRAWING

Rev	By	Date	Description
/00	Toh	21/03/2017	Initial Released

Fantech Pty Ltd. © A.C.N. 005 434 024  
 45 NESTOR DRIVE, MEADOWBROOK, QUEENSLAND, AUSTRALIA, 4131  
 TELEPHONE: (07) 32 999 888 FACSIMILE: (07) 32 999 800



DRAWN: Toh DATE: 21/3/2017  
 CHKED: Sean DATE: --  
 APPRD: JT DATE: --

General Layout  
 ME2B-H205/G3-FCO,  
 GR40(115514)x1

DRAWING NO: 868-8010-1205 REV: /00 SCALE: 1 : 20 SIZE: A3